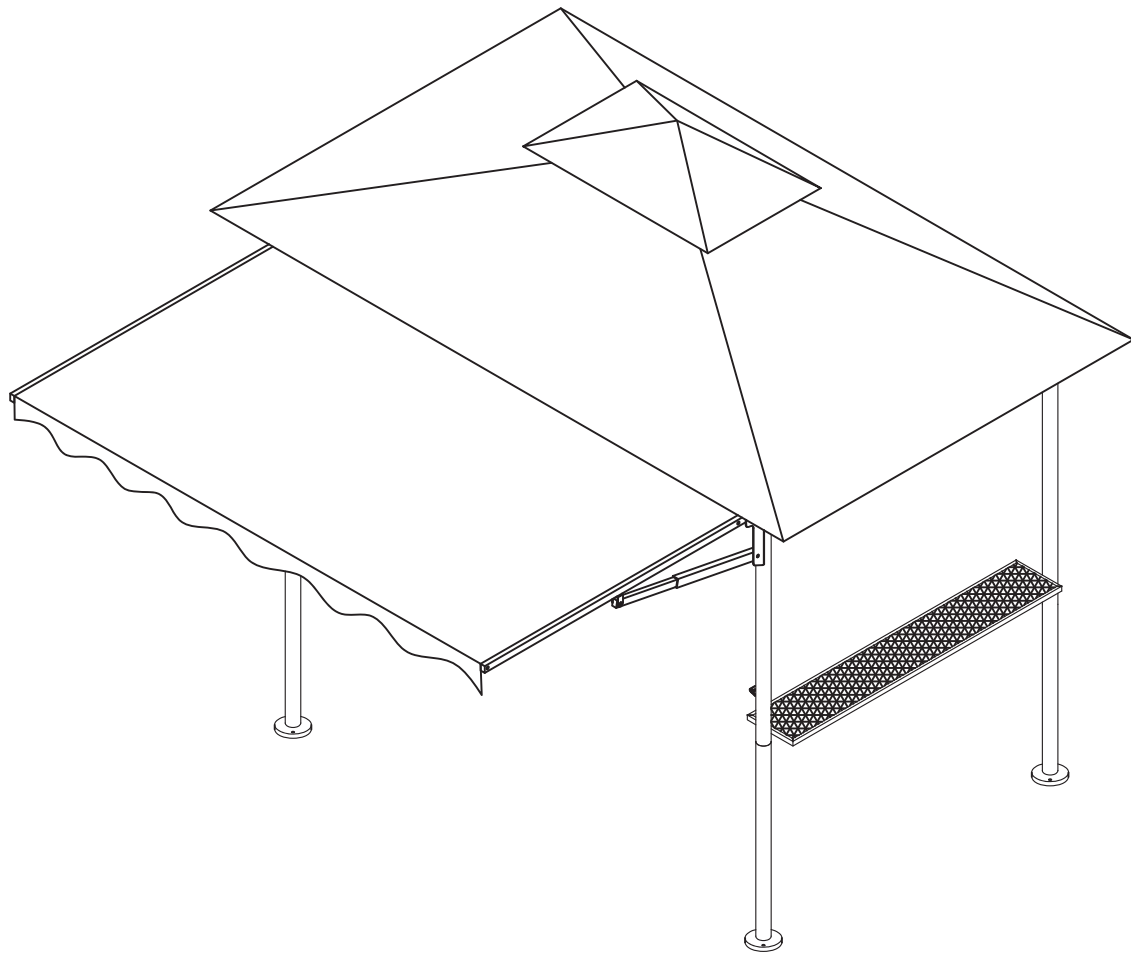


# Assembly Instructions



**8 x 5 ft BBQ gazebo with awning**

**WE HAVE YOU IN MIND, LET US SERVE YOU!**

**[victorytomUSA@outlook.com](mailto:victorytomUSA@outlook.com)**

# Safety Information

Two people are required for this assembly.

Some parts may contain sharp edges.

Wear protective gloves.

When assembling and using this product, basic safety precautions should always be followed to reduce the risk of personal injury and damage to equipment.

Please read all instructions before assembly and usage.



**CAUTION:** Do not climb on top of the gazebo. Falling off the gazebo can result in serious injury.

**NOTICE:** For outdoor use





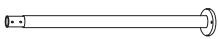


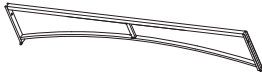


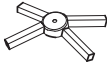





**DANGER:** This unit is heavy! Do not assemble this item alone






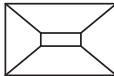









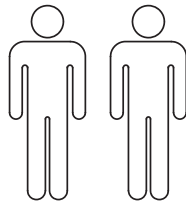
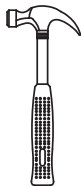
**WARNING:** Do not leave the gazebo where there is a risk of high wind, as possible damage will occur to the structure.



**WARNING:** Keep all flame and heat sources away from this gazebo fabric. This Gazebo is made with fabric that meets CPAI-84 specifications for flame resistance. It is not fire proof. The fabric will burn if left in continuous contact with any flame source. The application of any foreign substance to the gazebo fabric may render the flame-resistant properties ineffective.

Parts Name	Item No.	Parts Images	Qty.
Left-Leg Post	A1		2
Right-Leg Post	B1		2
Lower Post	A2/B2		4
Right Beam	C1		2
Left Beam	C2		2
Side Beam	D1		2
Upper Top Bar	G1		4
Lower Top Bar	G2		4
Top Connector	J		1
Big Roof Extender	K2		4
Small Roof Extender	K4		4
Bottle Opener	L		1
Hook	N		1
Awning Bar Q1	Q1		2

Parts Name	Item No.	Parts Images	Qty.
Awning Bar Q2	Q2		2
Left Awning Bar	R		1
Right Awning Bar	S		1
Bar Counter	U		2
Storage Hook Set	V		1
Big Canopy	O1		1
Small Canopy	O2		1
Awning Canopy	P		1
Screws C	CC	 M6×15MM	21
Screws D	DD	 M6×20MM	8
Screws E	EE	 M6×30MM	4
Stake	II		8
Wrench	JJ		1

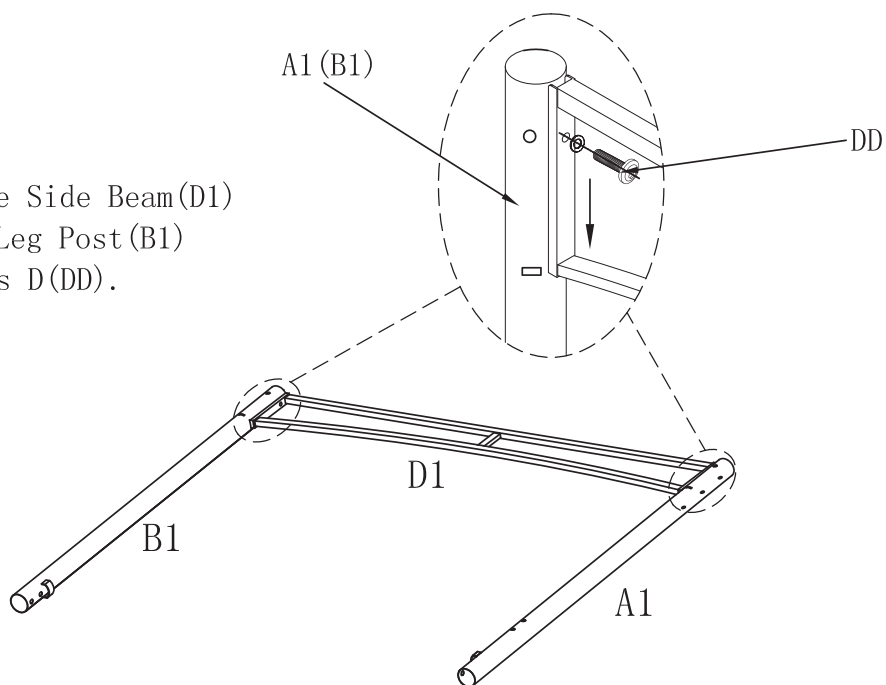


Two Person



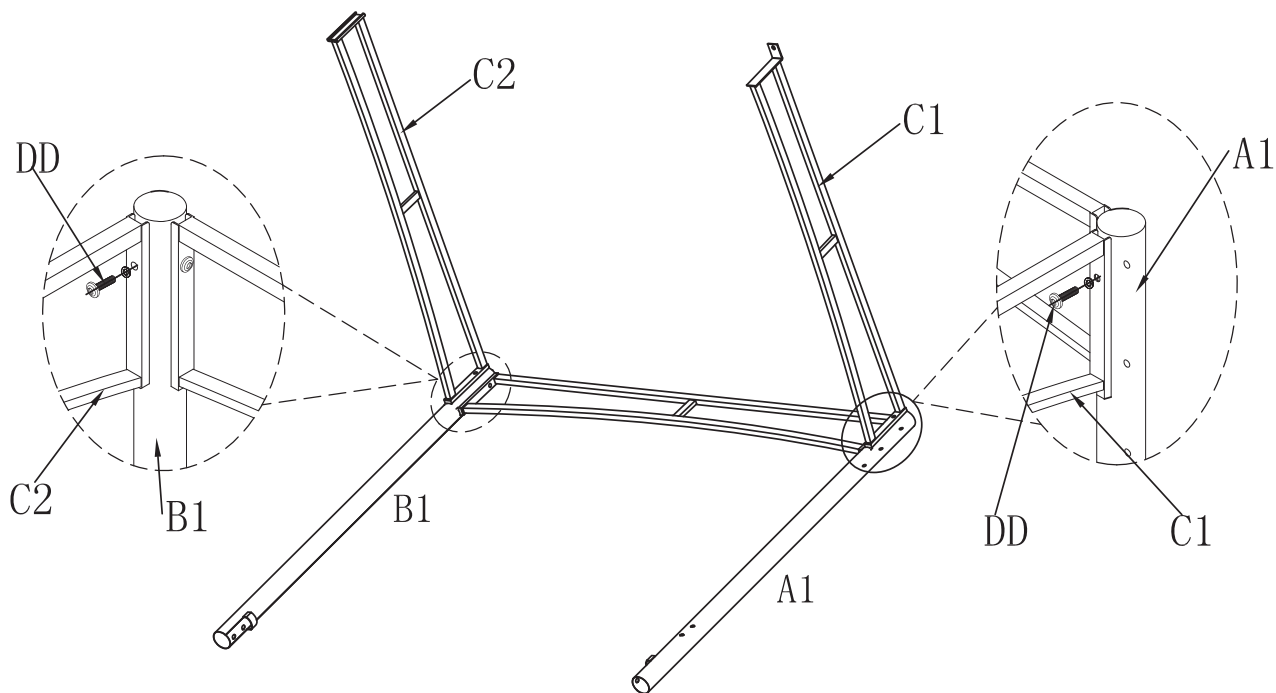
①

Connect the Side Beam(D1) and Right-Leg Post(B1) with Screws D(DD).

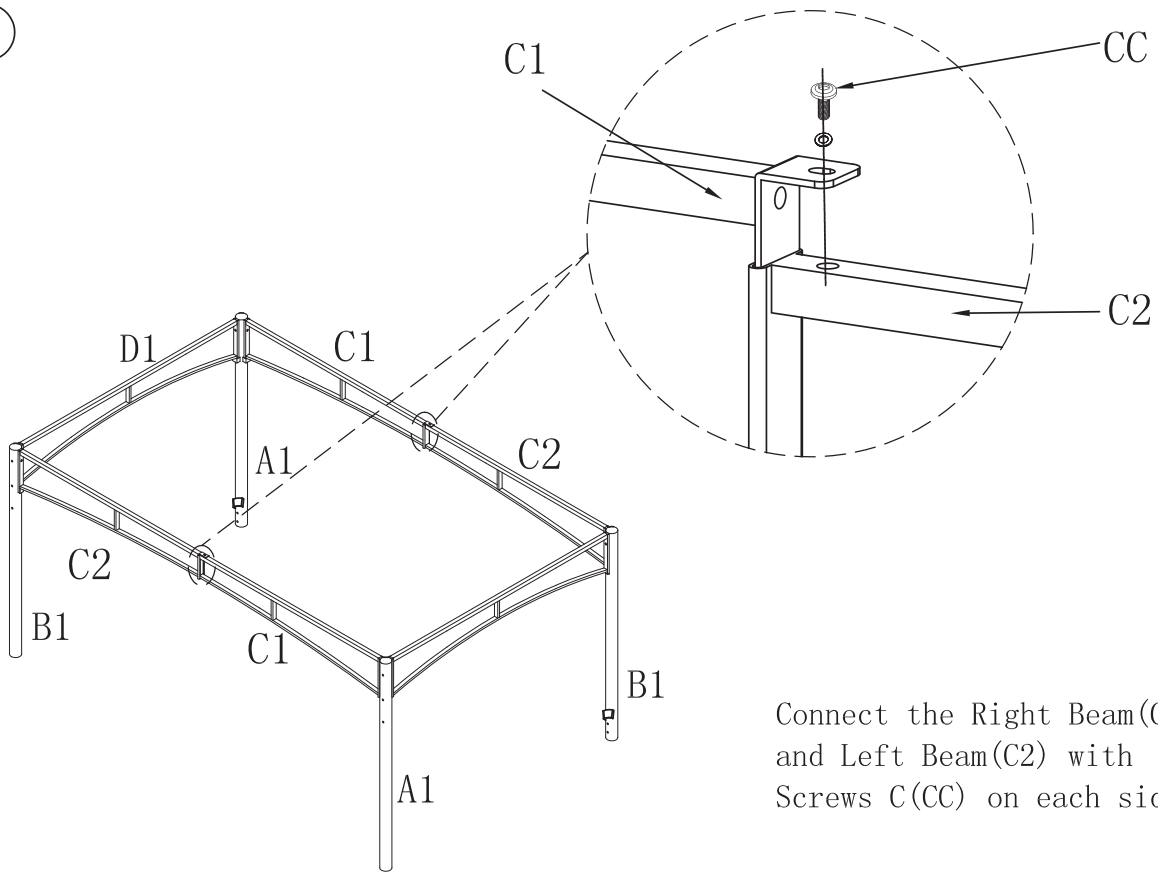


②

Connect the Left Beam(C2) and Right-Leg Post(B1) with Screws D(DD).  
Connect the Right Beam(C1) and Left-Leg Post(A1) with Screws D(DD).

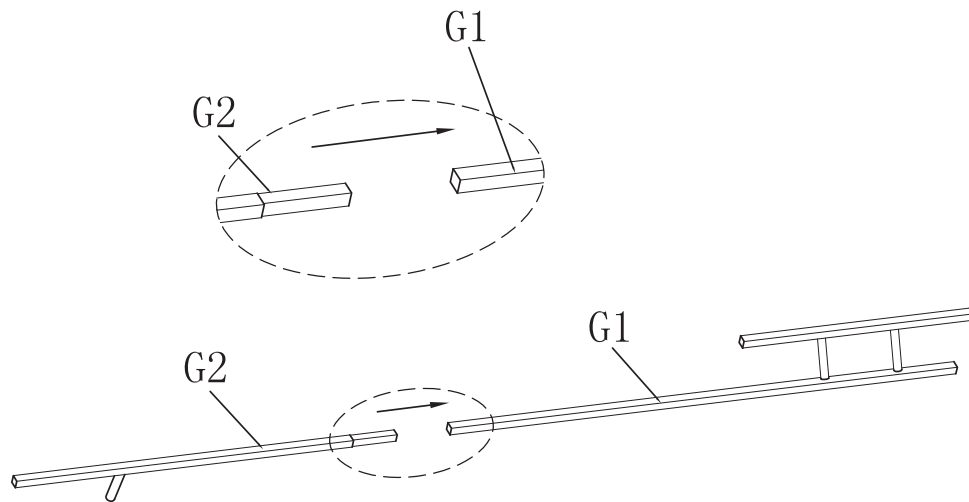


③



Connect the Right Beam(C1) and Left Beam(C2) with Screws C(CC) on each side.

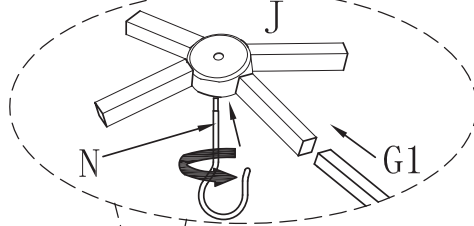
④



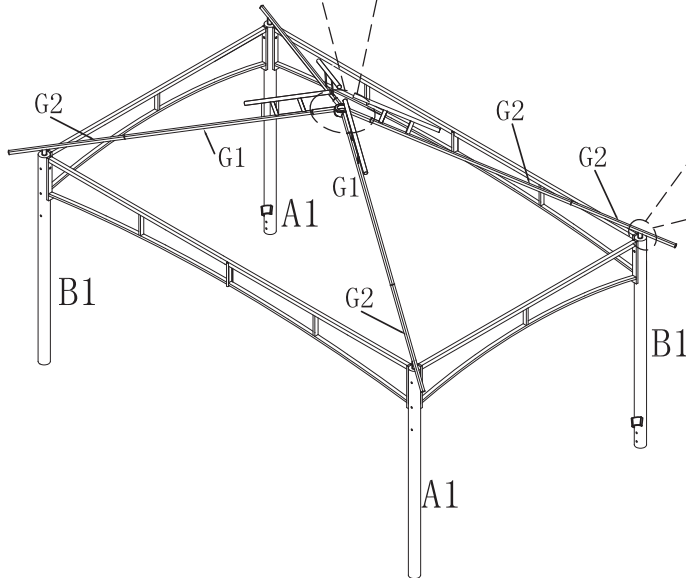
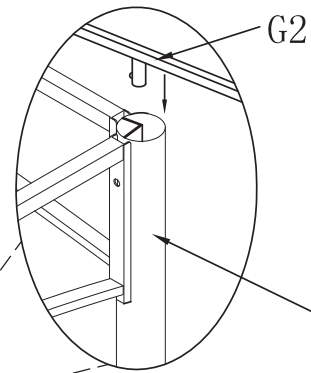
Connect the Upper Top Bars(G1x4) and the Lower Top Bars(G2x4).

⑤

Attach the Hook (N) to the Top Connector (J).



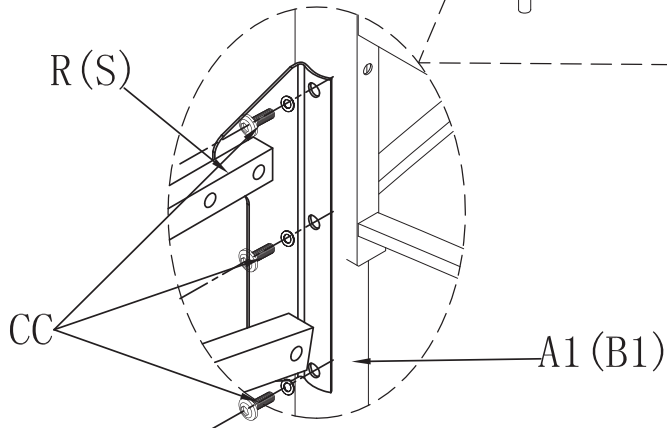
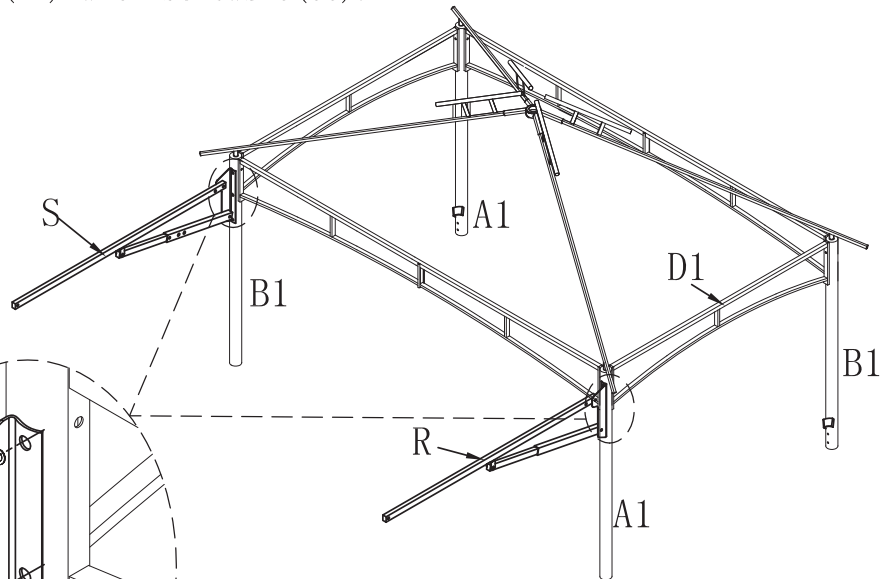
Insert the Upper Top Bars (G1x4) into the Top Connector (J).



Insert the Lower Top Bars (G2x4) into the Left Leg Posts (A1x2) or Right Leg Posts (B1x2).

⑥

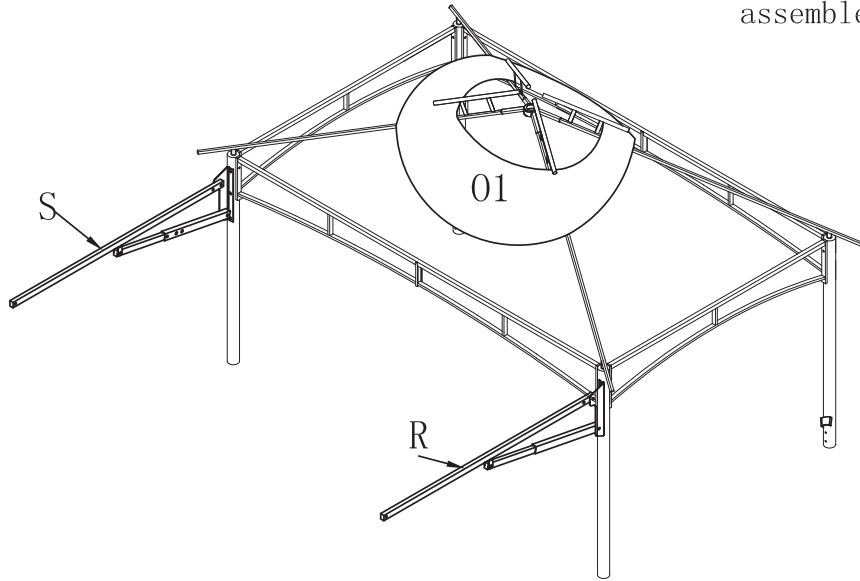
Connect the Right Awning Arm (S) and Right Leg Post (B1) with Screws C (CC).



Connect the Left Awning Arm (R) and Left Leg Post (A1) with Screws C (CC).

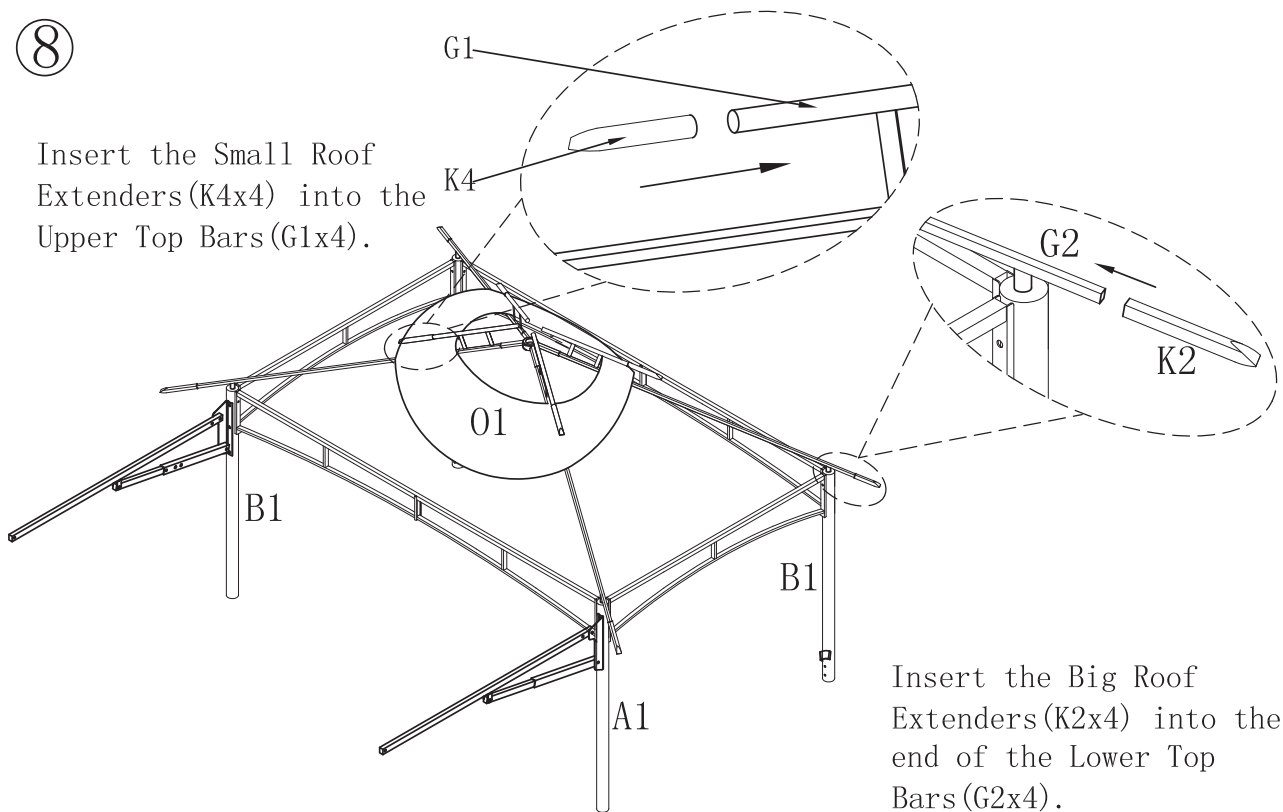
7

Put the Big Canopy (01) on the assembled Top Bars.



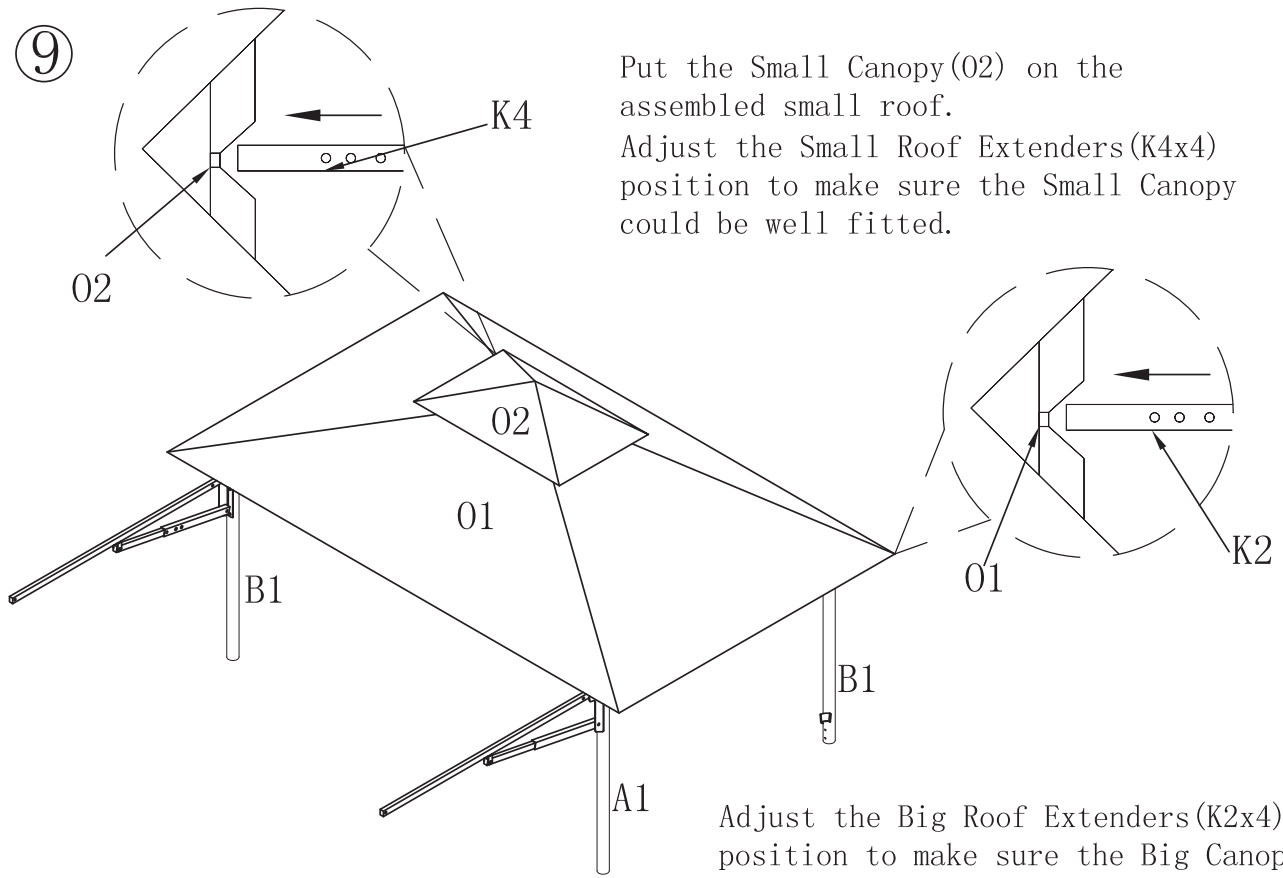
8

Insert the Small Roof Extenders (K4x4) into the Upper Top Bars (G1x4).



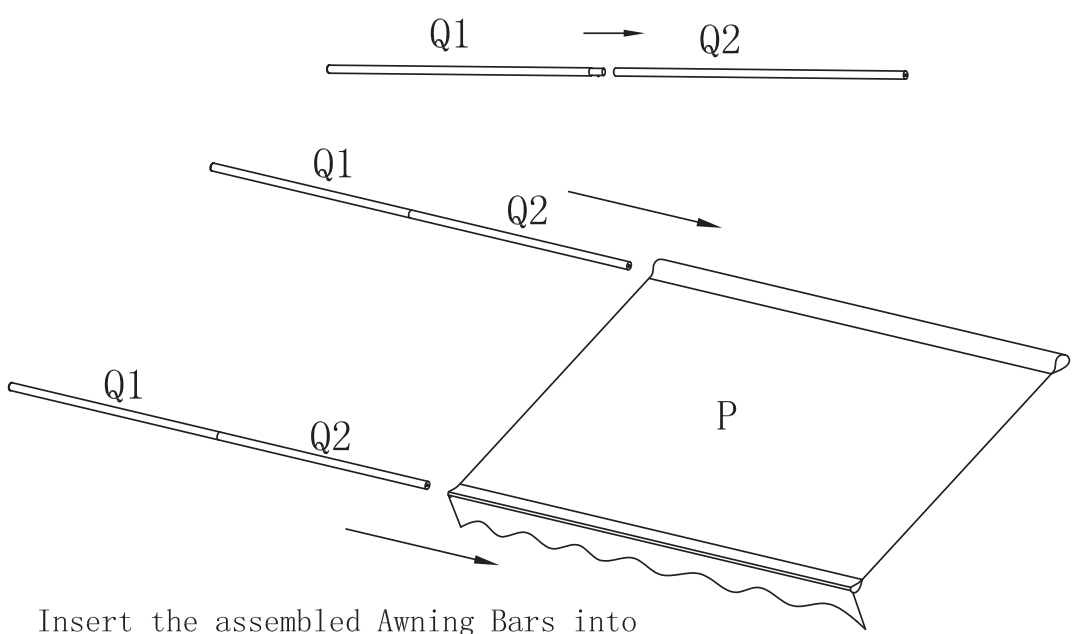
Insert the Big Roof Extenders (K2x4) into the end of the Lower Top Bars (G2x4).

9



10

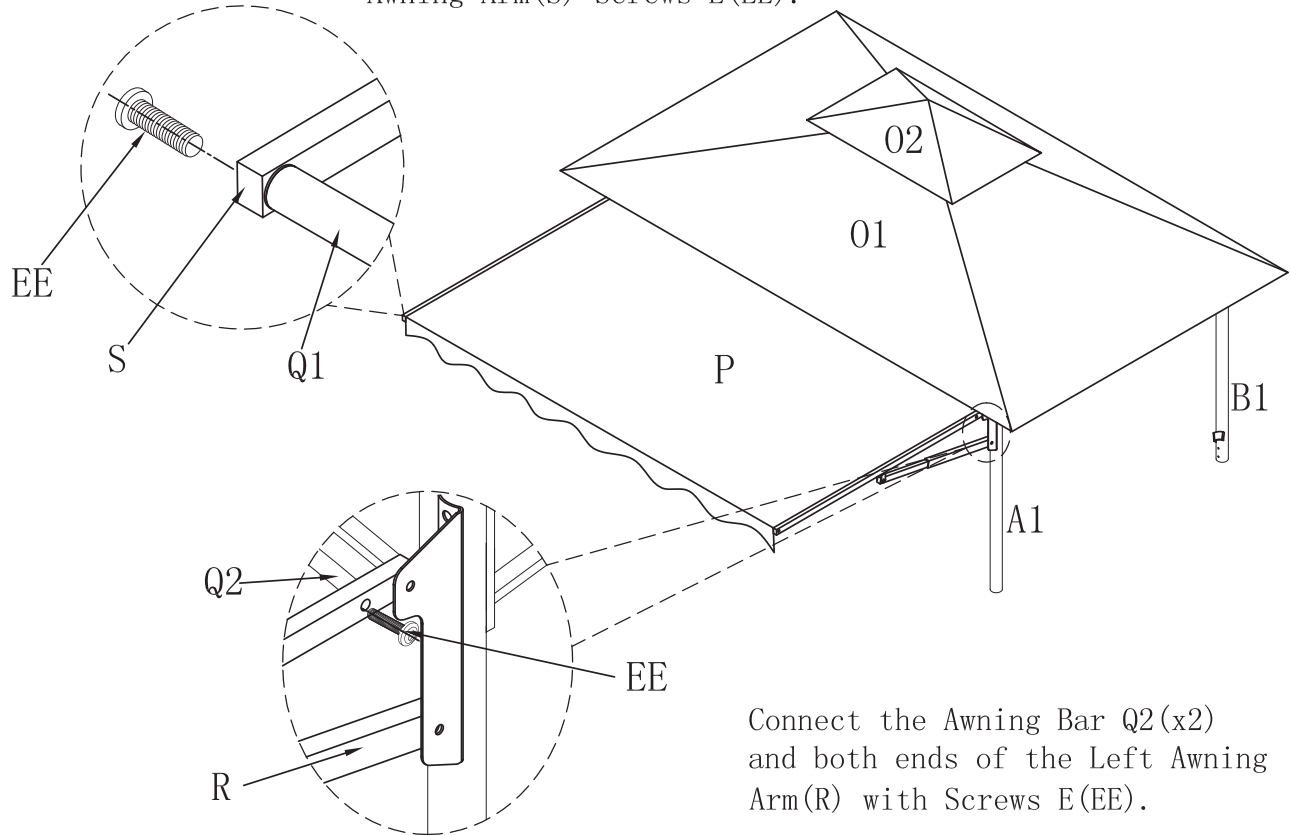
Connect the Awning Bar Q1(x2) with the Awning Bar Q2(x2).





11

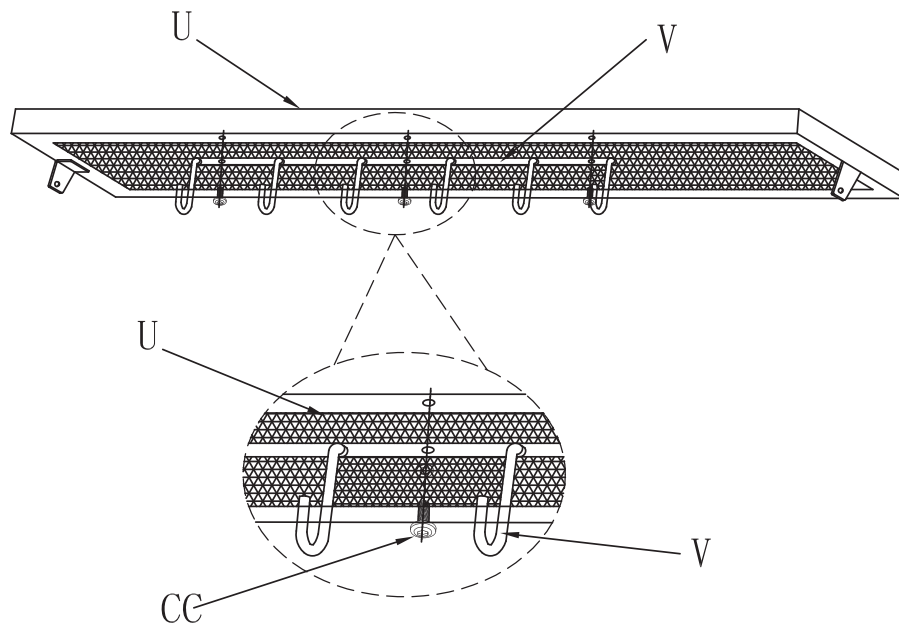
Connect the Awning Bar Q1(x2) and both ends of the Right Awning Arm(S) Screws E(EE).



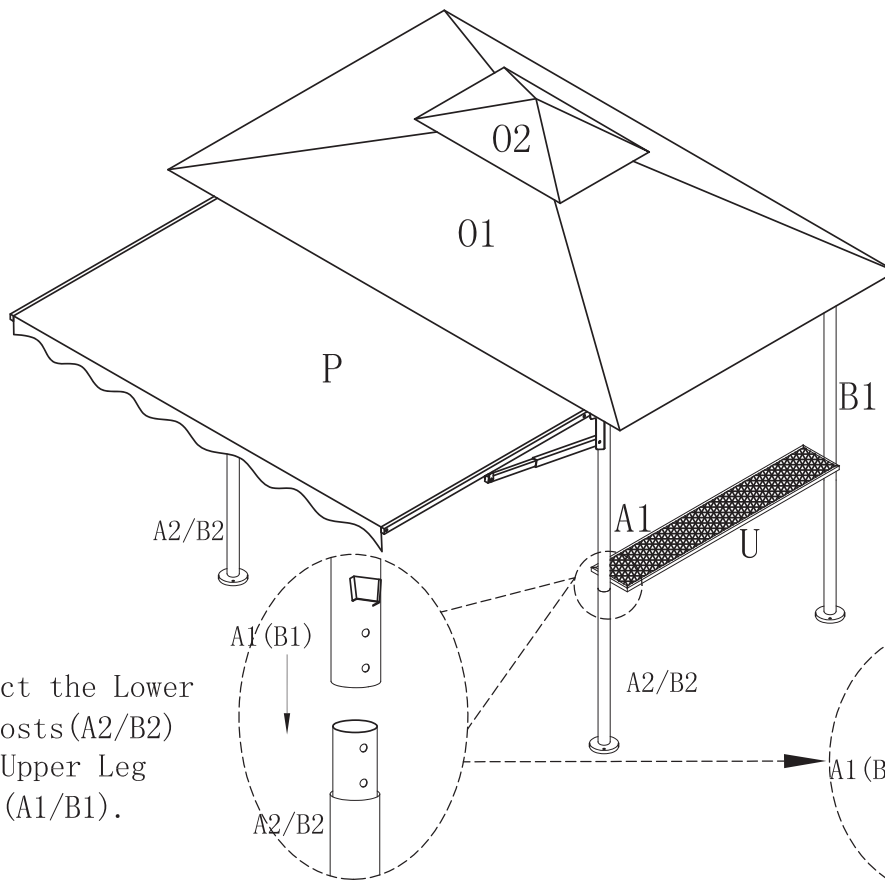
Connect the Awning Bar Q2(x2) and both ends of the Left Awning Arm(R) with Screws E(EE).

12

Assemble the Storage Hook(V) and the Bar Counter(U) with Screws C(CC).



13

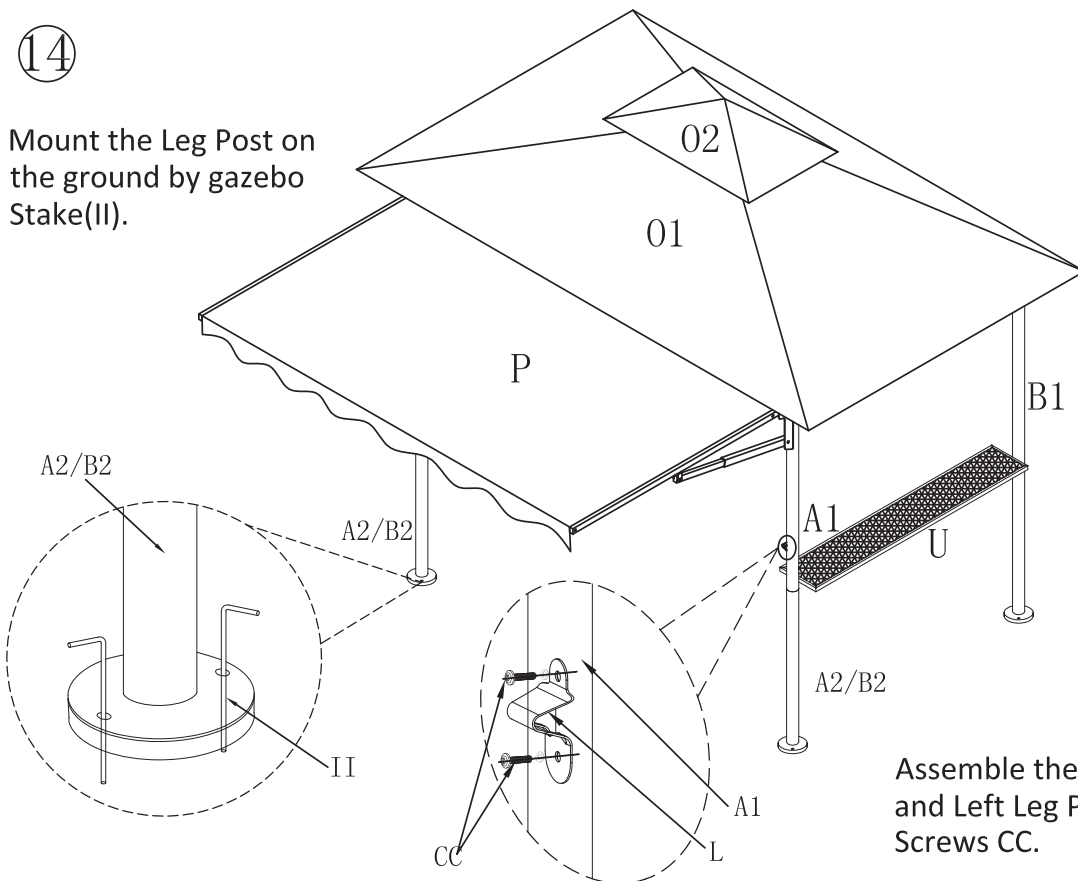


Connect the Bar Counter (U) and the assembled Leg Posts (A1+A2/B2 & B1+A2/B2) with Screws C (CC).

Connect the Lower Leg Posts (A2/B2) with Upper Leg Posts (A1/B1).

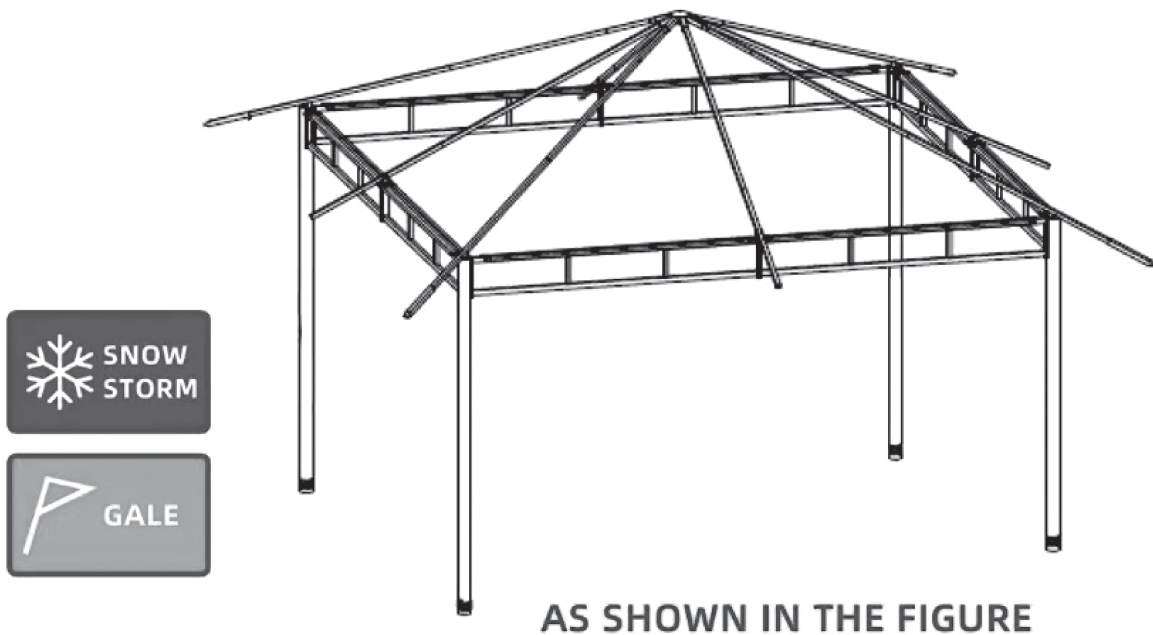
14

Mount the Leg Post on the ground by gazebo Stake (II).



Assemble the Bottle Opener (L) and Left Leg Post (A1) with Screws CC.

# THE WIND SNOW WEATHER



Please remove the canopy in snowstorm and gale days to avoid unnecessary damage to the gazebo

Thanks so much for your purchasing, and hope you will have a pretty good experience both on assembly and daily using.

If any questions, please contact us

[victorytomUSA@outlook.com](mailto:victorytomUSA@outlook.com)

## Care and Maintenance

Our steel components for garden accessories and furniture are treated with rust inhibiting paint that protects it from rusting. However, due to the nature of steel, surface oxidation (rusting) will occur once these protective coatings are scratched. This is not a defect and thus not covered by the warranty.

To minimize this condition, we recommend care when assembling & handling the product to prevent scratching the paint. Should any scratching or damage occur, we recommend immediate touch-up with rust inhibiting paint.

Surface rust can also be easily removed with a very light application of common cooking oil. If surface oxidation (rusting) occurs and if no measure is taken to prevent this, the oxidation may start dripping on to deck or patio and caused damaging stains, which may be difficult to remove. This can be prevented if the above-mentioned measures are taken to keep the product from oxidizing.

Use damp cloth to wipe off the stains as quickly as possible.

If necessary, wash with a mild solution of soap and water; rinse thoroughly and dry completely.

Periodically check and ensure that all bolts are well-tighten during use